

15kW to 30kW
rotary screw air compressors
fixed and variable speed



Avelair
compressed air solutions

Reliability you can trust.





About the team

Avelair is a UK company specialising in the design and manufacturer of efficient air compressors. We have an in-house team of compressor specialists with over 150 years experience, passionate about exceptional design, reliability and energy efficiency.

With a factory trained technical support team and readily available service components, we offer an unrivalled service. Our philosophy is to focus on exceptional customer care as a foundation for long term relationships with our customers.

Quality

We are a long standing member of the British Compressed Air Society and we work in line with their professional values. Thanks to our UKAS accredited ISO 9001 quality system we continuously achieve high quality design and manufacturing.



Made in Britain is something we are extremely proud of and ensures we offer the best possible quality product in terms of reliability, safety and efficiency through innovative design and build.



Our confidence in our compressors is reflected in our 5 year warranty, ensuring long term peace of mind. Our comprehensive warranty covers all major components with unlimited hours of use.



How we stand out

The Avelair air compressors use the latest rotary screw technology assuring superior reliability and long term satisfaction. Our constant drive to innovate has led to one of the most efficient and reliable compressor on the market today. Our confidence in our compressors is reflected in our 5 year warranty. Best of all, we design and manufacture the compressors here in the UK, which means quality workmanship and total technical backup whenever you need it.

Proven design

The Avelair air compressor is one of the market leaders using our NK EVO | TECHNOLOGY with rolling profile ensuring long term reliability and low noise levels. With over 20 years of compressor manufacturing, we are confident we can offer unrivalled quality, reliability and efficiency. Avelair NK EVO | TECHNOLOGY offers efficient quiet operation and is designed for continual use 24/7.

Energy efficient

Our rotary screw airend uses the latest in built NK EVO | TECHNOLOGY offering highly efficient air output to energy input. Along with compressor management controllers, high efficiency motors and the option of inverter driven, you can be confident of enhanced future savings.

Unrivalled service backup

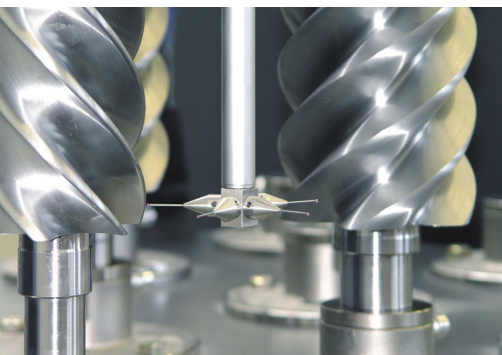
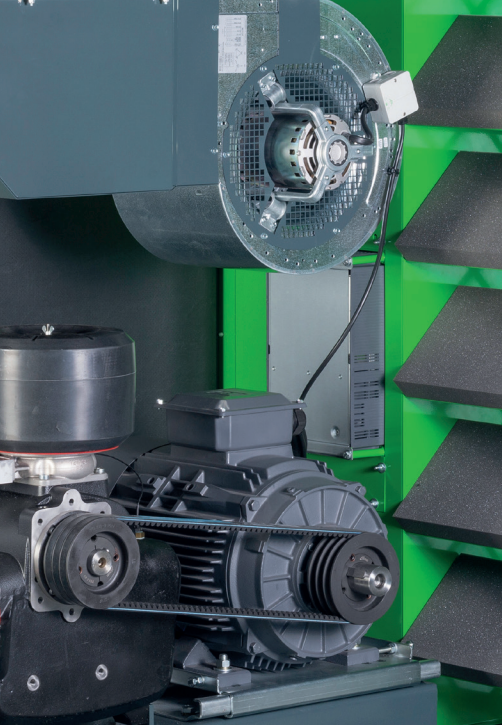
Avelair and our global distributor network offer excellent local service ensuring long term confidence in your investment. High quality and proven genuine spare parts and components provide the best protection for your compressors for long term satisfaction.



SOME OF OUR CLIENTS

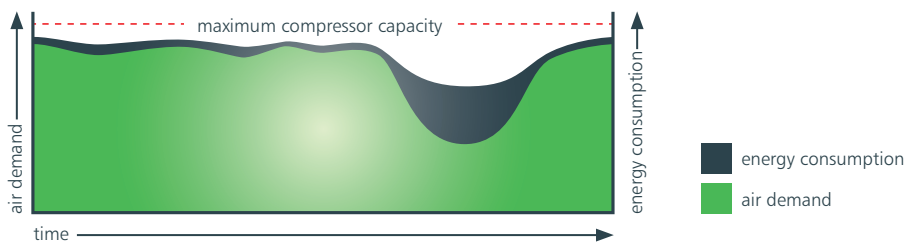


Mercedes-Benz



Fixed speed rotary screw compressors

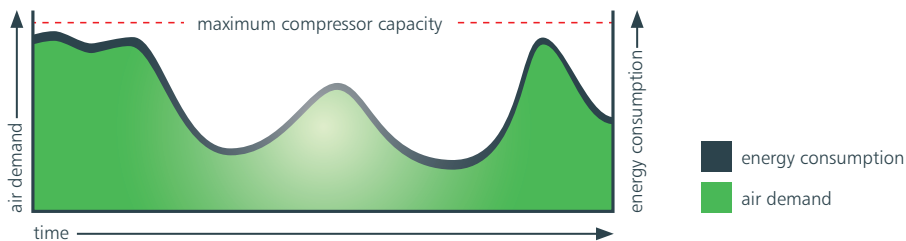
- Ideal for compressed air users who have a fairly constant demand or who require a base load compressor to work alongside a variable speed compressor.
- High performance air ends ensure high air output from energy input ensuring cost effective production of air.
- Premium IE3 efficiency motors ensure optimum running efficiency and longer service life.
- Tried and tested components ensure long term reliability.



The Avelair fixed speed compressors are efficient for constant air demand users. When air demand reduces, the compressor will run offload making it less efficient to run than a variable speed compressor.

Variable speed rotary screw compressors

- The perfect choice for users who have a variable compressed air demand.
- The compressors use a high performance inverter to smoothly alter the motor speed in response to demand for air, ensuring there is minimum offload running. You only pay for the compressed air you use.
- In many cases this can reduce energy costs by 35% or more, with paybacks from around 6 - 18 months.
- The inverter further saves energy by accurately maintaining the system pressure within a 0.2 bar margin, and by soft starting which reduces start up current peaks and wear on the motor and drive system.



The Avelair variable speed compressors mirror the demand for air by altering the motor speed ensuring optimum energy efficiency.

15kW to 30kW rotary screw air compressor



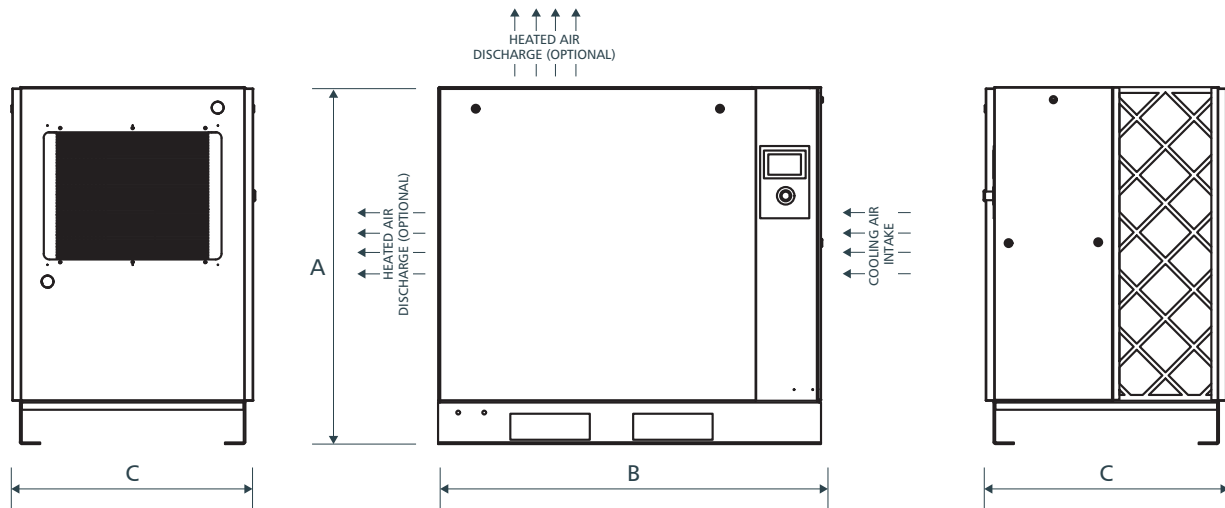
1. Designed and manufactured here in the UK, which means quality workmanship and total technical backup whenever you need
2. 5 year parts warranty is offered ensuring long term peace of mind
3. High performance encapsulated air ends - optimum air output from power input and no separator vessel inspections required, reducing future costs
4. Premium efficiency IE3 motors - reduced running costs and longer service life
5. Hot air discharge from the aftercooler is available from the top or left hand side offering complete flexibility for installation and heat recovery
6. Electronic control system - user friendly information at the touch of a button. Offers the ability to link in to a compressor management system

7. Ease of maintenance from the front of the compressor spin on / off separators and oil filters - reduced service costs
8. High quality robust steel enclosure and acoustic foam for low noise operation
9. Rigid steel piping for oil and air - no expensive hose replacements or leaks
10. Pre intake filter panel ensuring clean internal environment

Options available:

- receiver mounted - 650L
- integral refrigerant or desiccant dryer
- filtration and autodrain for receiver
- fixed speed or variable speed

15kW to 30kW rotary screw air compressor



Model	LE 15	VSD 15	LE 18.5	VSD 18.5	LE 22	VSD 22	LE 30	VSD 30
Motor	15 kW	15 kW	18.5 kW	18.5 kW	22 kW	22 kW	30 kW	30 kW
Type (speed)	Fixed	Variable	Fixed	Variable	Fixed	Variable	Fixed	Variable
Capacity 8 bar	88 cfm	88 cfm	108 cfm	108 cfm	120 cfm	120 cfm	141 cfm	141 cfm
Capacity 10 bar	80 cfm	80 cfm	94 cfm	94 cfm	106 cfm	106 cfm	127 cfm	127 cfm
Capacity 13 bar	68 cfm	68 cfm	81 cfm	81 cfm	95 cfm	95 cfm	114 cfm	114 cfm
External isolator current rating (Ie)	63A	63A	63A	63A	63A	100A	100A	100A
SWA incoming cable size 30°C	6mm	6mm	6mm	10mm	10mm	16 mm	16mm	25mm
Circuit breaker rating (Amps)	40A	50A	50A	63A	50A	80A	100A	100A
Circuit breaker setting (Amps)	N/A	45A	N/A	55A	N/A	65A	80A	80A
Circuit breaker type	D-Type	MCCB*	D-Type	MCCB*	D-Type	MCCB*	MCCB*	MCCB*
Fuse rating	40A	50A	50A	63A	50A	80A	80A	100A
Fuse class	aM	gG	aM	gG	aM	gG	aM	gG
Fuse type	HRC	HRC	HRC	HRC	HRC	HRC	HRC	HRC
Starter	Star Delta	Inverter start	Star Delta	Inverter start	Star Delta	Inverter start	Star Delta	Inverter start
Height**	1,235 mm	1,235 mm	1,235 mm	1,235 mm	1,235 mm	1,235 mm	1,235 mm	1,235 mm
Length**	1,325 mm	1,325 mm	1,325 mm	1,325 mm	1,325 mm	1,325 mm	1,325 mm	1,325 mm
Width**	838 mm	838 mm	838 mm	838 mm	838 mm	838 mm	838 mm	838 mm
Weight	505 kg	510 kg	553 kg	558 kg	560 kg	572 kg	628 kg	640 kg
Cooling air required***	5,500 m ³ /hr	5,500 m ³ /hr	5,500 m ³ /hr	5,500 m ³ /hr	5,500 m ³ /hr	5,500 m ³ /hr	5,500 m ³ /hr	5,500 m ³ /hr
Min / Max amb temp	>1°C/40°C	>1°C/40°C	>1°C/40°C	>1°C/40°C	>1°C/40°C	>1°C/40°C	>1°C/40°C	>1°C/40°C

General Data

Motor enclosure	IP55
Motor Insulation / temp rise	Class F / B
Electrical enclosure	IP54
Control circuit	24 Vac
Oil carry over	2/3 ppm
Noise level at 1 metre	74/76 dB(A)
Max / min pressure switch d/p	2.5 / 0.7 bar
Outlet connection size	¾" / 1" bspp m
Oil capacity	12 litres

Important note: All values given are for guidance only. The individual site electrical characteristics MUST be measured and assessed by a qualified electrician in regards to suitable electrical equipment specification, installation and connection.

Please note: The cable size guidance has been provided with the following assumptions. Cable type, Multicore armoured 90°C thermosetting insulated cables (SWA, Table 4E4 of BS7671), installed using Reference Method E, in a maximum ambient air temperature of 30°C, with cable length being less than 20m.

If the proposed installation is outside the above specification, then the installation electrician MUST re-assess the suitability of the cable in line with the requirements of BS7671 IET Wiring Regulations.

Note: If the compressor has an autodrain or dryer built on, then in addition, a **neutral supply** will be required. Dimensions and weight vary depending on special requirements.

* Device type, general purpose for line protection. Combined thermal / magnetic device.

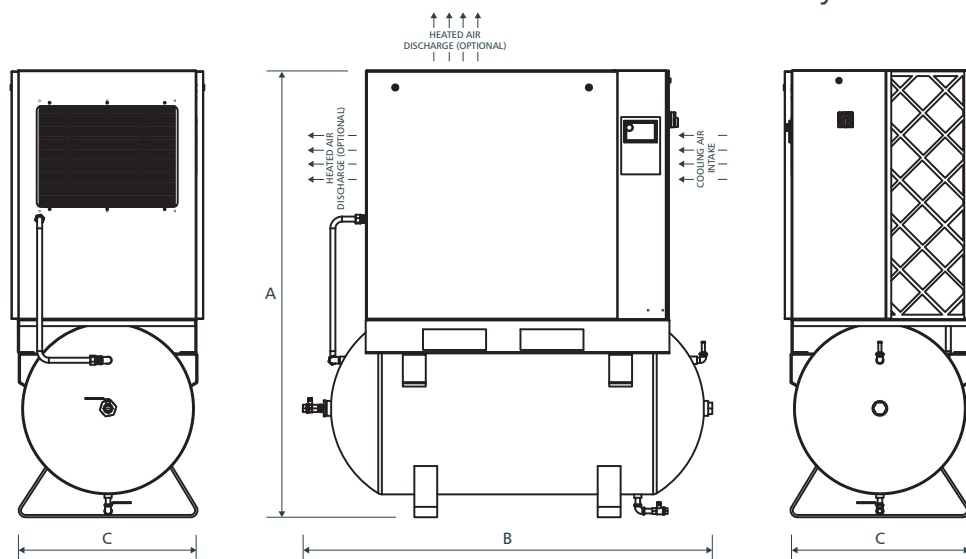
** Measurements do not include such items as isolator, emergency stop button, anti vibration feet etc.

*** End or top discharge for cooling air available on request for 15-22kW.

Top discharge only for 30kW.

Specification subject to change without notice.

15kW to 30kW rotary screw air compressor



Model	LER 15	VSDR 15	LER 18.5	VSDR 18.5	LER 22	VSDR 22	LER 30	VSDR 30
Motor	15 kW	15 kW	18.5 kW	18.5 kW	22 kW	22 kW	30 kW	30 kW
Type (speed)	Fixed	Variable	Fixed	Variable	Fixed	Variable	Fixed	Variable
Capacity 8 bar	88 cfm	88 cfm	108 cfm	108 cfm	120 cfm	120 cfm	141 cfm	141 cfm
Capacity 10 bar	80 cfm	80 cfm	94 cfm	94 cfm	106 cfm	106 cfm	127 cfm	127 cfm
Capacity 13 bar	68 cfm	68 cfm	81 cfm	81 cfm	95 cfm	95 cfm	114 cfm	114 cfm
External isolator current rating (Ie)	63A	63A	63A	63A	63A	100A	100A	100A
SWA incoming cable size 30°C	6mm	6mm	6mm	10mm	10mm	16mm	16mm	25mm
Circuit breaker rating (Amps)	40A	50A	50A	63A	50A	80A	100A	100A
Circuit breaker setting (Amps)	N/A	45A	N/A	55A	N/A	65A	80A	80A
Circuit breaker type	D-Type	MCCB*	D-Type	MCCB*	D-Type	MCCB*	MCCB*	MCCB*
Fuse rating	40A	50A	50A	63A	50A	80A	80A	100A
Fuse class	aM	gG	aM	gG	aM	gG	aM	gG
Fuse type	HRC	HRC	HRC	HRC	HRC	HRC	HRC	HRC
Starter	Star Delta	Inverter start	Star Delta	Inverter start	Star Delta	Inverter start	Star Delta	Inverter start
Height** (A)	1,950 mm	1,950 mm	1,950 mm	1,950 mm	1,950 mm	1,950 mm	1,950 mm	1,950 mm
Length** (B)	1,785 mm	1,785 mm	1,785 mm	1,785 mm	1,785 mm	1,785 mm	1,785 mm	1,785 mm
Width** (C)	836 mm	836 mm	836 mm	836 mm	836 mm	836 mm	836 mm	836 mm
Weight	625 kg	630 kg	673 kg	678 kg	680 kg	685 kg	748 kg	753 kg
Cooling air required***	5,500 m ³ /hr	5,500 m ³ /hr	5,500 m ³ /hr	5,500 m ³ /hr	5,500 m ³ /hr	5,500 m ³ /hr	5,500 m ³ /hr	5,500 m ³ /hr
Min / Max amb temp	>1°C/40°C	>1°C/40°C	>1°C/40°C	>1°C/40°C	>1°C/40°C	>1°C/40°C	>1°C/40°C	>1°C/40°C

General Data

Motor enclosure	IP55
Motor Insulation / temp rise	Class F / B
Electrical enclosure	IP54
Control circuit	24 Vac
Oil carry over	2/3 ppm
Noise level at 1 metre	74/76 dB(A)
Max / min pressure switch d/p	2.5 / 0.7 bar
Outlet connection size	¾" / 1" bspp fm
Oil capacity	12 litres
Receiver	650 litres

Important note: All values given are for guidance only. The individual site electrical characteristics MUST be measured and assessed by a qualified electrician in regards to suitable electrical equipment specification, installation and connection.

Please note: The cable size guidance has been provided with the following assumptions. Cable type, Multicore armoured 90°C thermosetting insulated cables (SWA, Table 4E4 of BS7671), installed using Reference Method E, in a maximum ambient air temperature of 30°C, with cable length being less than 20m.

If the proposed installation is outside the above specification, then the installation electrician MUST re-assess the suitability of the cable in line with the requirements of BS7671 IET Wiring Regulations.

Note: If the compressor has an autodrain or dryer built on, then in addition, a **neutral supply** will be required. Dimensions and weight vary depending on special requirements.

* Device type, general purpose for line protection. Combined thermal / magnetic device.

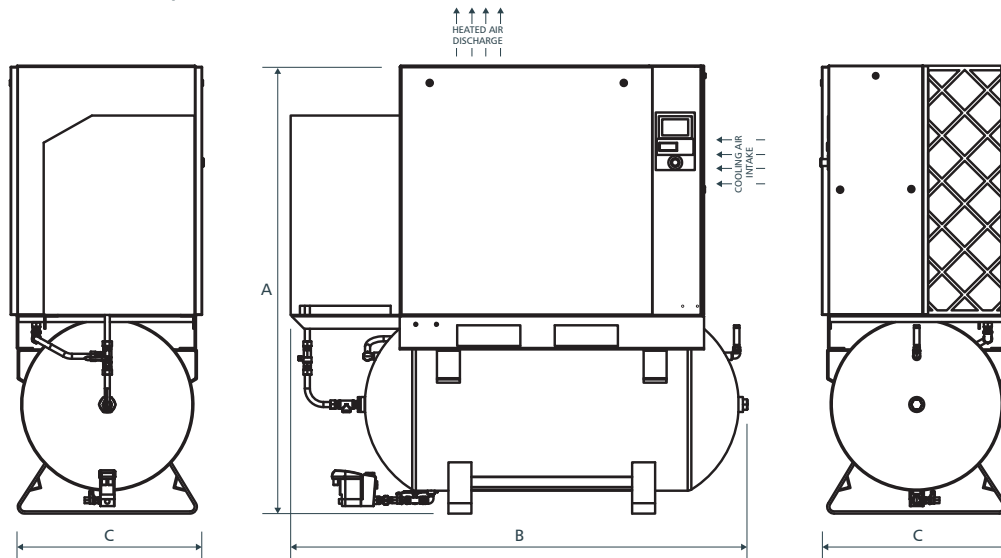
** Measurements do not include such items as isolator, emergency stop button, anti vibration feet etc.

*** End or top discharge for cooling air available on request for 15-22kW.

Top discharge only for 30kW.

Specification subject to change without notice.

15kW to 30kW rotary screw air compressor



Model	LER 15 FF	VSDR 15 FF	LER 18.5 FF	VSDR 18.5 FF	LER 22 FF	VSDR 22 FF
Motor	15 kW	15 kW	18.5 kW	18.5 kW	22 kW	22 kW
Type (speed)	Fixed	Variable	Fixed	Variable	Fixed	Variable
Capacity 8 bar	88 cfm	88 cfm	108 cfm	108 cfm	120 cfm	120 cfm
Capacity 10 bar	80 cfm	80 cfm	94 cfm	94 cfm	106 cfm	106 cfm
Capacity 13 bar	68 cfm	68 cfm	81 cfm	81 cfm	95 cfm	95 cfm
External isolator current rating (Ie)	63A	63A	63A	63A	63A	100A
SWA incoming cable size 30°C	6mm	6mm	6mm	10mm	10mm	16mm
Circuit breaker rating (Amps)	40A	50A	50A	63A	50A	80A
Circuit breaker setting (Amps)	N/A	45A	N/A	55A	N/A	65A
Circuit breaker type	D-Type	MCCB*	D-Type	MCCB*	D-Type	MCCB*
Fuse rating	40A	50A	50A	63A	50A	80A
Fuse class	aM	gG	aM	gG	aM	gG
Fuse type	HRC	HRC	HRC	HRC	HRC	HRC
Starter	Star Delta	Inverter start	Star Delta	Inverter start	Star Delta	Inverter start
Height** (A)	1,950 mm	1,950 mm	1,950 mm	1,950 mm	1,950 mm	1,950 mm
Length** (B)	1,987 mm	1,987 mm	1,987 mm	1,987 mm	1,987 mm	1,987 mm
Width** (C)	836 mm	836 mm	836 mm	836 mm	836 mm	836 mm
Weight	658 kg	663 kg	720 kg	725 kg	736 kg	741 kg
Cooling air required***	5,500 m ³ /hr	5,500 m ³ /hr	5,500 m ³ /hr	5,500 m ³ /hr	5,500 m ³ /hr	5,500 m ³ /hr
Min / Max amb temp	>1°C/40°C	>1°C/40°C	>1°C/40°C	>1°C/40°C	>1°C/40°C	>1°C/40°C

General Data	
Motor enclosure	IP55
Motor Insulation / temp rise	Class F / B
Electrical enclosure	IP54
Control circuit	24 Vac
Oil carry over	2/3ppm
Noise level at 1 metre	74/76 dB(A)
Max / min pressure switch d/p	2.5 / 0.7 bar
Outlet connection size	¾" / 1" bspm fm
Oil capacity	12 litres
Receiver	650 litres

Important note: All values given are for guidance only. The individual site electrical characteristics MUST be measured and assessed by a qualified electrician in regards to suitable electrical equipment specification, installation and connection.

Please note: The cable size guidance has been provided with the following assumptions. Cable type, Multicore armoured 90°C thermosetting insulated cables (SWA, Table 4E4 of BS7671), installed using Reference Method E, in a maximum ambient air temperature of 30°C, with cable length being less than 20m.

If the proposed installation is outside the above specification, then the installation electrician MUST re-assess the suitability of the cable in line with the requirements of BS7671 IET Wiring Regulations.

Note: If the compressor has an autodrain or dryer built on, then in addition, a **neutral supply** will be required. Dimensions and weight vary depending on special requirements.

* Device type, general purpose for line protection. Combined thermal / magnetic device.

** Measurements do not include such items as isolator, emergency stop button, anti vibration feet etc.

*** Top discharge for cooling air only.

Specification subject to change without notice.